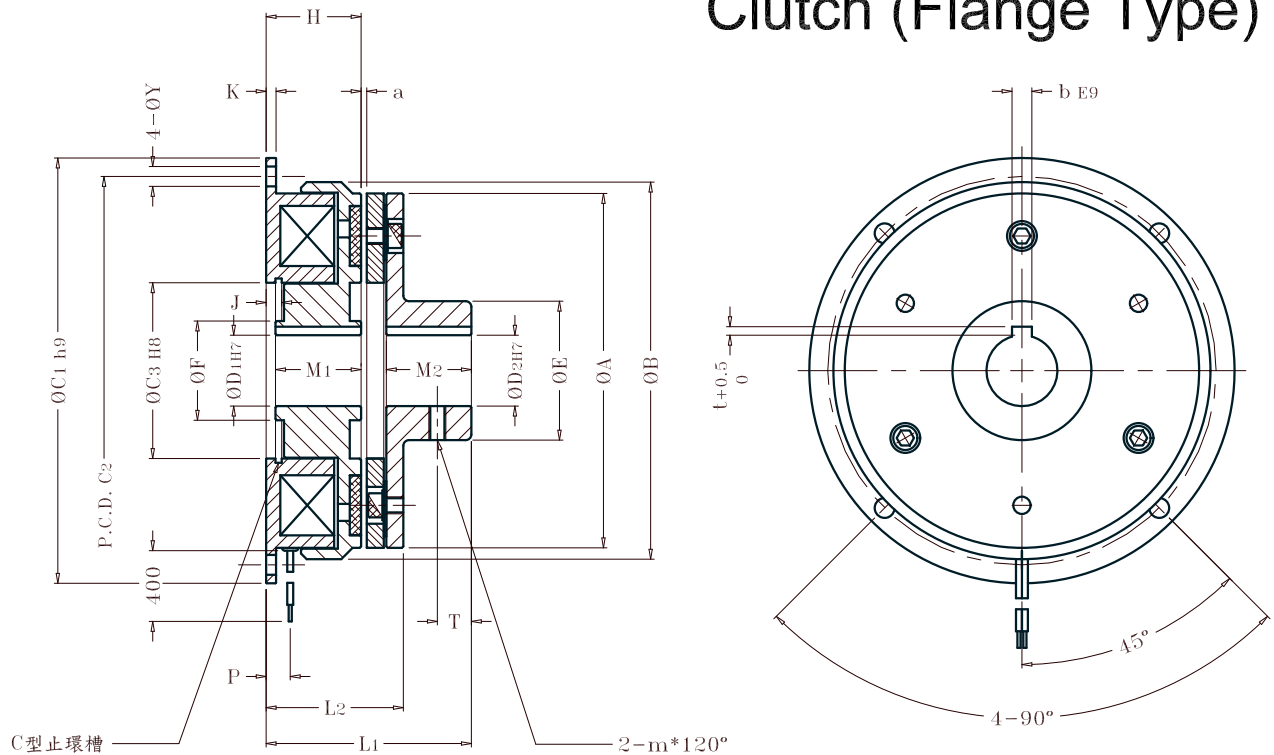


# HELISTAR

## ECF-1-□□ 電磁離合器(法蘭安裝型)

### Clutch (Flange Type)



型號Model	0.6		1.5		2.5		5		10		20		40		
徑向尺寸 (Diameter)	A	63	80	100	125	160	200	250							
	B	67.5	85	106	133	169	212.5	264							
	C1	80	100	125	150	190	230	290							
	C2	72	90	112	137	175	215	270							
	C3	35	42	52	62	80	100	125							
	E	26	31	41	49	65	83	105							
	F	23	28.5	40	45	62	77	100							
	Y	5	6	7	7	9.5	9.5	11.5							
軸向尺寸 (Length)	H	24	26.5	30	33.5	37.5	44	51							
	J	3.5	4.3	5	5.5	6	7	8							
	K	2.1	2.6	3.1	3.6	4.1	5.1	6.1							
	L1	43	51	61	70.5	84.5	100.5	118							
	L2	31.5	35	41	46.5	53.5	64.5	75							
	M1	22	24	27	30	34	40	47							
	M2	15	20	25	30	38	45	54							
	P	7.3	8.3	9	9.3	11.7	13.4	16							
	T	6	8	10	12	15	18	22							
	a	0.2 ±0.05	0.2 ±0.05	0.2 ±0.05	0.3 <sup>+0.05</sup> <sub>-0.1</sub>	0.3 <sup>+0.05</sup> <sub>-0.1</sub>	0.5 <sup>+0.0</sup> <sub>-0.2</sub>	0.5 <sup>+0.0</sup> <sub>-0.2</sub>							
	m	M4	M5	M5	M6	M8	M8	M10							
鍵 (Key)	D1	12	15	15	20	20	25	25	30	30	40	40	50	50	60
	D2	12	15	15	20	20	25	25	30	30	40	40	50	50	60
	b	4	5	5	5	5	7	7	7	7	10	10	12	12	15
	t	1.5	2	2	2	2	3	3	3	3	3.5	3.5	3.5	3.5	5
質量weight	0.63		1.01		1.82		3.18		6.45		11.05		20.05		